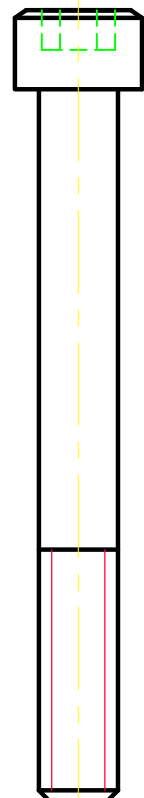


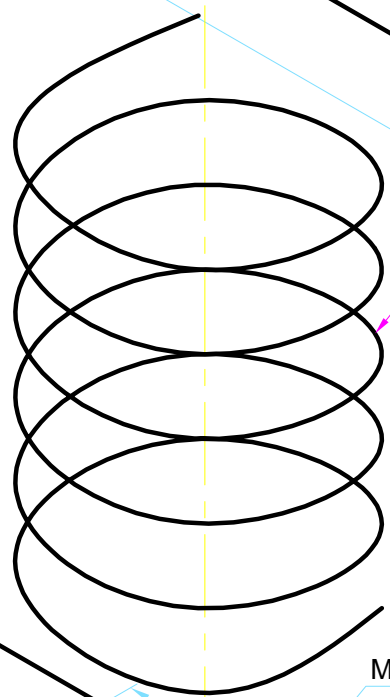
PART 5: CAP SCREW
M12x84/30



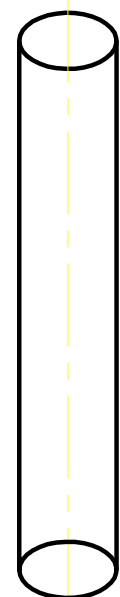
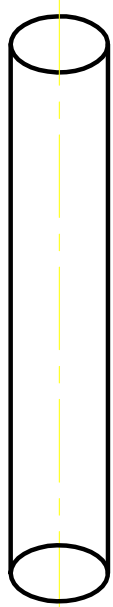
PART 4: TOP

Ø16 | Ø35
▽26

PART 2: SHAFT
Ø12x110



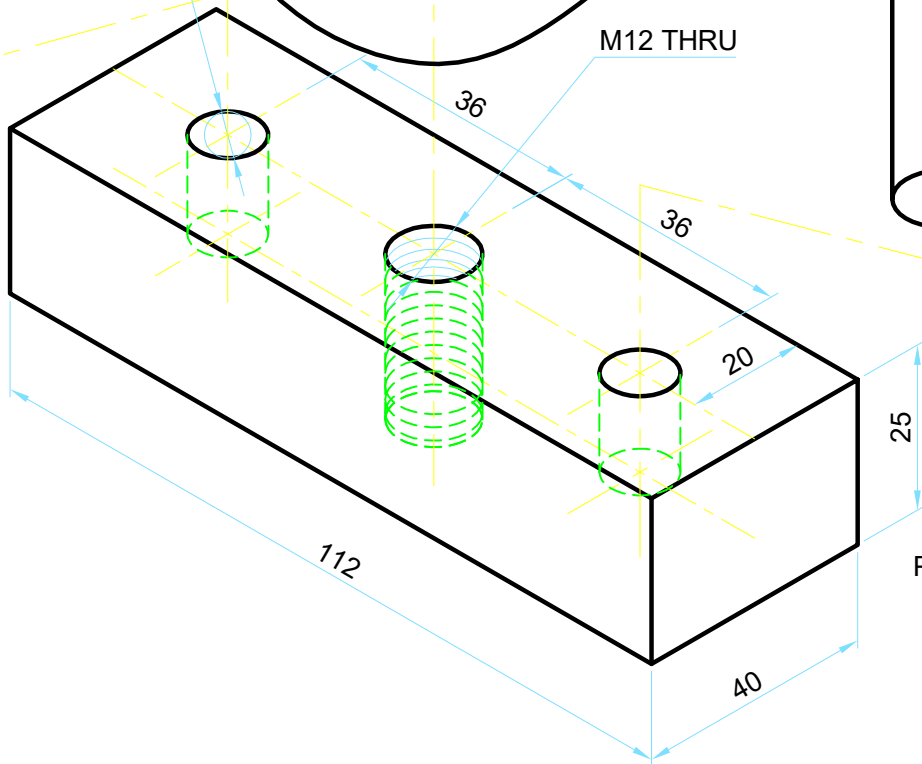
PART 3: SPRING



2xØ12
▽15

M12 THRU

PART 2: SHAFT
Ø12x110



PART 1: BASE

VWS 1